

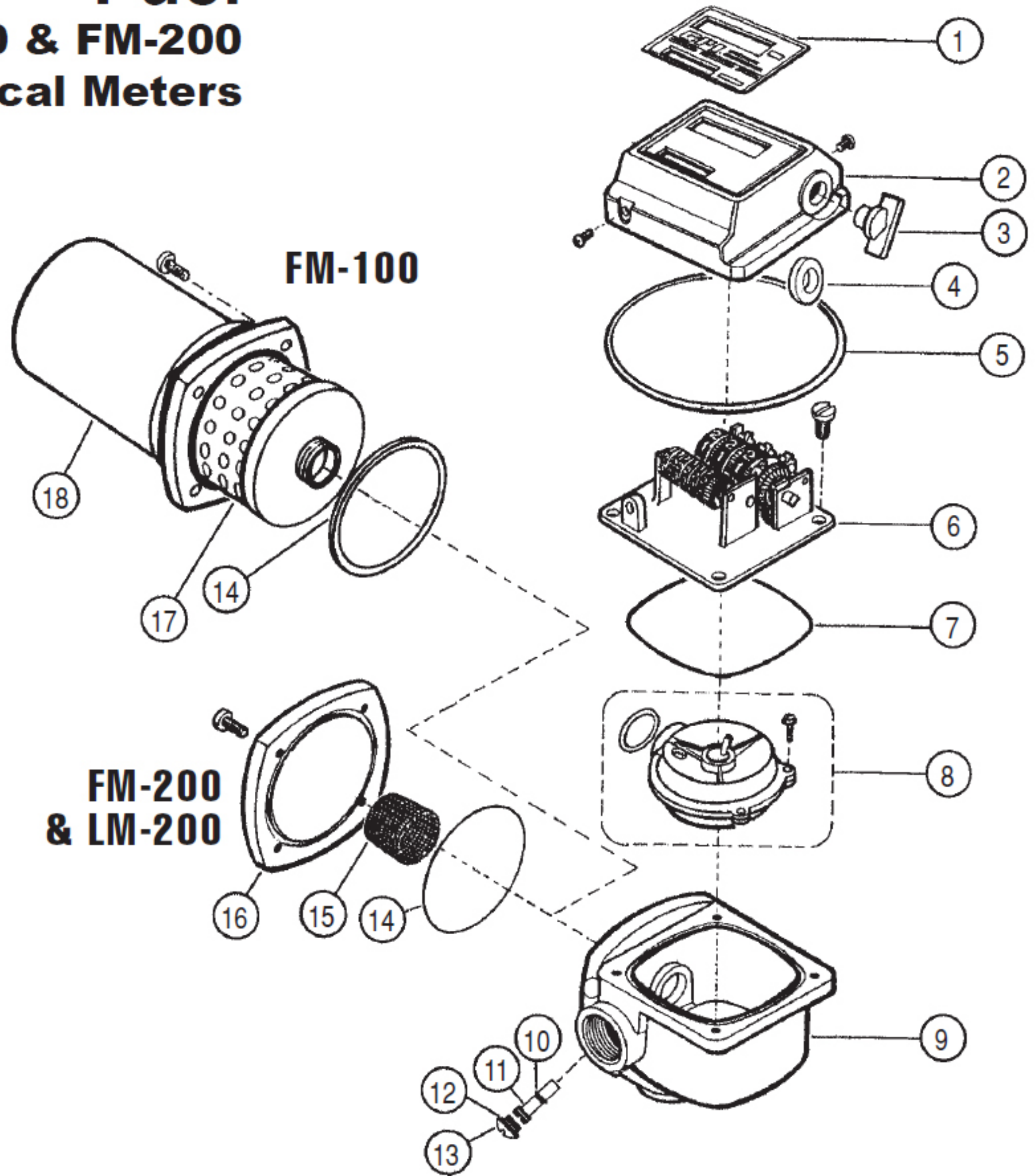
Fuel

Series FM-100 & FM-200 Mechanical Meters

Oil Meter LM-200

FM-100

FM-200 & LM-200



Item No.	Part No.	Description	No. Req'd.	Item No.	Part No.	Description	No. Req'd.
1	111116-01	Decal, Quart (LM-200)	1	8	111509-1	Nutator Kit.....	1
	111116-02	Decal, Litre (LM-200)	1	9	111021-3	Housing, 1-inch NPT	1
	111099-8	Decal, Gallon (FM-200)	1		111021-4	Housing, 1-inch BSPP	1
	111099-9	Decal, Litre (FM-200).....	1		111021-5	Housing, 3/4-inch NPT.....	1
	111012-8	Decal, Gallon (FM-100)	1		111021-7	Housing, 3/4-inch BSPP	1
	111012-9	Decal, Litre (FM-100)	1	10	111026-1	Calibration Screw Seal	1
2	111006-1	Counter Cover, Gallon	1	11	111014-3	Calibration Screw.....	1
	111006-2	Counter Cover, Litre.....	1	12	904006-16	Flat Washer.....	1
3	111028-1	Reset Knob	1	13	111039-2	Calibration Cover Screw	1
4	111107-1	Knob Seal	1	14	901001-77	Seal, Filter Can & Strainer Coverplate.....	1
5	111024-1	Cover O-Ring	1	15	111032-2	Strainer (FM-200).....	1
6	111047-3	Counter Assy, Gallon	1	16	111029-1	Strainer Coverplate (FM-200 & LM-200) ...	1
	111047-5	Counter Assy, Litre.....	1	17	111010-1	Filter (FM-100)	1
7	110026-1	Housing O-Ring	1	18	111020-3	Filter Can (FM-100).....	1

Replacement Kit

111506-2 FM-100 & FM-200 Overhaul Kit (includes Seals,
O-Rings & Nutator Disc Assy)

Pre-Mfg. 2300 on FM-100

111022-1 Filter Seal (FM-100)

111023-1 Filter Can Seal (FM-100)